

## MULSANNE C/XC/XRC AND A340 SPEC SUB-FRAME CONVERSION KIT FITTING INSTRUCTIONS

### C111 TYPE SUB-FRAMES

**ELISE S1 (std), ELISE S2 (pre VIN:72400),  
ELISE 111R (pre VIN:32403),  
EXIGE S1 (std), EXIGE S2 (pre VIN:82395).**



Mulsanne C



XC



XRC

## INTRODUCTION

Mulsanne C/ XC/ XRC are twin skin carbon seats developed for applications where light weight and extreme stiffness are of priority, both the front and back of the seats have a high quality Auto-clave moulded gloss finish.

These performance seat's have been specifically developed for the Lotus Elise S1/S2/111R/Federal, Exige S1/S2, 340R and VX/VXR220 range of cars with tailored fitting kits to suit each model (when ordering you should state Lotus/Vauxhall model and chassis VIN no). Due to the compact dimensions of the seat's they have also proven to be an ideal fitment to vehicles with limited cockpit space.

**FITTING INSTRUCTIONS FOR PARTS: R01SI0064, R01SI0063, R01SI0053, R01SI0039**

## **WARNING, MOTORSPORT OR DRIVING CAN BE DANGEROUS RESULTING IN DEATH OR PERSONAL INJURY. READ OUR FITTING INSTRUCTIONS CAREFULLY**

This article is sold without warranty expressed or implied. No warranty or representation is made as to this product's ability to protect the user from injury or death. The user assumes that risk. The effectiveness, warranty and longevity of this equipment are directly related to the manner in which it is INSTALLED, USED, and/or MAINTAINED. THE USER ASSUMES THE RISK. Fitment of REVERIE PRODUCTS TO AUTOMOBILES THAT ARE SUBJECT TO A MANUFACTURER'S WARRANTY MAY VOID THE MANUFACTURER'S WARRANTY AND THE VEHICLES ABILITY TO MEET EMISSION OR OTHER TRANSPORT REGULATIONS. By purchasing this product and opening the packaging, purchasers expressly acknowledge, understand and agree that they take, select and purchase these REVERIE products from REVERIE, its affiliates, distributors, and agents (collectively, REVERIE) "as is" and "with all faults".

The entire risk as to the quality and performance of these REVERIE parts is with the purchasers. Should the goods prove defective following their purchase; the purchasers assume the entire cost for all necessary servicing or repair or any resulting liability. Working on your car can be a dangerous activity. If you are unsure of what you are doing, please leave mechanical or Safety critical work to a skilled mechanic.

We take no responsibility for the incorrect use and / or installation of REVERIE products.

[WWW.REVERIE.LTD.UK](http://WWW.REVERIE.LTD.UK)

# INDEX

## PAGE

<b>3</b>	<b>UV-PROTECTION</b>
<b>3</b>	<b>PART NUMBER IDENTIFICATION</b>
<b>4</b>	<b>C111 TYPE SUB-FRAME GENERAL INFORMATION</b>
<b>5</b>	<b>FITTING KIT CONTENTS</b>
<b>6</b>	<b>FITTING INSTRUCTIONS</b>

## UV-PROTECTION

Please Note Epoxy Pre-preg products are not UV stable. Texallium products are particularly liable and can yellow in only 2 – 6 weeks. The epoxy resin will 'yellow' with prolonged exposure to UV radiation and material strength properties will slowly deteriorate. We recommend exterior products or those exposed to constant UV are either colour painted or at least Lacquered. We use predominately 2K car lacquers of medium solids, the DBS range has been found very suitable, although people have had equally good results with Urethanes varnishes and epoxy clear coats.

The surface should be sanded with 180, 240 then 320 grit and a cleaning solvent used to remove grease or dirt prior to paint application. Several coats may be required (normally 3 to 4 light coats) to avoid pin-holing, common with painting composite products. Pin holes may be dubbed in carefully with a brush, then wet flatted for a final application of 3 thin coats. **Let air dry only**, you may stove the paint at 70'c once fully air dried.

## PART NUMBER IDENTIFICATION

Reverie part numbers are in red eg **R01SI6002A**

Lotus part numbers are in green eg **A111V0012J**

## C111 TYPE SUB-FRAME GENERAL INFORMATION

Reverie Ltd recommend The Elise S1 (std), Elise S2 (pre VIN:72400), Exige S1 (std) and Exige S2 (pre VIN:82395) type sub frame's should only be used with conventional type seat belts, and **not 4/5/6 point harnesses**, due to the single shear anchoring on the out side of the sub frame. However ReVerie Ltd manufactures a conversion kit that modifies the above mentioned drivers side sub frame's to 340R (type A340) spec, allowing the safe fitment of 4/5/6 point harnesses. The passenger side sub-frame should be replaced with the type A340 fixed sub frame when harnesses are to be used, A full passenger side type A340 sub-frame kit is available from ReVerie Ltd.

**The owner should refer to the MSA blue book for the correct instillation of harnesses for competition.**

## **Part Numbers**

**Elise S1(std), Elise S2 (pre VIN:72400)**

**Exige S1(std), Exige S2 (pre VIN:82395)**

RHD **C111V0012J** Adjustable driver's side (**std seatbelt only**)

LHD **C111V0011J** Adjustable driver's side (**std seatbelt only**)

RHD **C111V0013F** Fixed passenger side (**std seatbelt only**)

LHD **C111V0014F** Fixed passenger side (**std seatbelt only**)

## **C111 to A340 spec sub-frame conversion kits**

Drivers side conversion kit

RHD **R01SI0040A**

LHD **R01SI0054A**

Passenger side 340R sub-frame kit

RHD **R01SI0023A**

LHD **R01SI0025A**



Drivers side conversion kit shown

## **FITTING KIT CONTENTS**

**MULSANNE C/XC/XRC AND A340 SPEC SUB-FRAME CONVERSION KIT TO C111 TYPE SUB-FRAMES**

**ELISE S1 (std), ELISE S2 (pre VIN:72400), EXIGE S1 (std), EXIGE S2 (pre VIN:82395).**

Suitable for 4/5/6 point Harnesses on Road/track day cars, see MSA blue book for race cars.

**GREEN = CONVERSION KIT CONTENTS SUPPLIED BY ReVerie Ltd.**

**RED = RETAINED FROM OLD SEAT REMOVAL**

Drivers side (double sheer conversion kit)

Rear

2 \* Bolt Cap head M8 \* 20mm (12.9 spec)

2 \* Washer Penny M8

Anchor

2 \* Bolt Lotus spec double sheer (long) 7/16 \* 43mm (R01SI6037A)

1 \* Spacer Lotus spec steel double sheer 7/16 (R01SI6047A)

1 \* Spacer Lotus spec steel double sheer 7/16

Front

2 \* Nuts M8

2 \* Washers small OD M8

Subframe

1 \* Outside double sheer bracket (RHD=R01SI6042A LHD=R01SI6054A)

1 \* Front slotted cross member (R01SI6040A)

Passenger side (340R sub-frame kit)

Rear

2 \* Bolt Cap head M8 \* 20mm (12.9 spec)

2 \* Washer Penny M8

2 \* Spacer nylon 5mm M8 (R01SI6048A)

Anchor

2 \* Bolt Lotus spec double sheer (long) 7/16 \* 43mm (R01SI6037A)

1 \* Spacer Lotus spec steel double sheer 7/16 (R01SI6047A)

1 \* Spacer Lotus spec steel double sheer 7/16

2 \* Spacer nylon 5mm 7/16 (R01SI6049A)

Front

2 \* Nuts M8

2 \* Washers small OD M8

Subframe

1 \* Sub-frame 340R spec static Passenger side (RHD=R01SI6035A LHD=R01SI6036A)

## **FITTING INSTRUCTIONS**

### **LOTUS SEAT AND SUBFRAME REMOVAL**

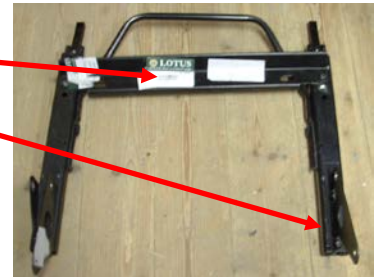
- A. Remove existing seats and sub frames from car by undoing the four bolts per sub frame attaching sub frames to chassis (retain bolts).

- B. Remove the seats from the sub frames by undoing the six retaining bolts, 2\*M8 bolts at the rear (discard), 1\*7/16 out-side seat belt bolt (discard), 1\* Lotus spec shanked 7/16 in-side seat belt bolt (discard), spacer (retain) and spring (retain), 2\* M8 nuts underneath front of seat (retain).

## FITTING CARBON SEAT AND A340 SPEC BRKTS TO STD DRIVERS SIDE SUBFRAMES (HARNESSES AND STD SEATBELTS)

A.

Remove the outside rear brkt and cross brace retaining the bolts and washers.



B.

With the original single sheer brkt removed, loosely bolt (you will tighten it later) the double sheer A340 spec brkt in place using the bolts retained



C.

Loosely bolt the A340 spec cross brace in the position shown noting which holes are used (RHD sub-frame shown, mirror fitment for LHD)



D.

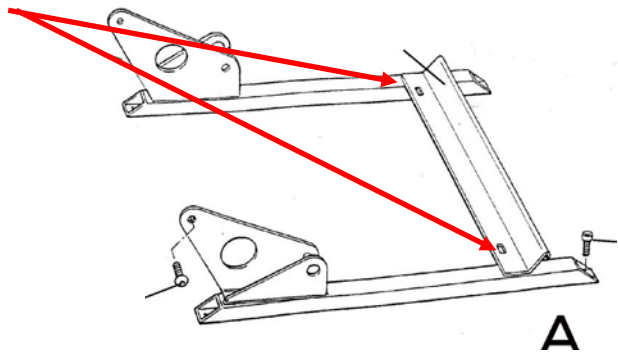
Place the seat sub frame in the car and loosely position the support spars using the 4 chassis fixing locations. Tighten the cross member bolts to fix the sub frame in position. Then remove the

[www](#)

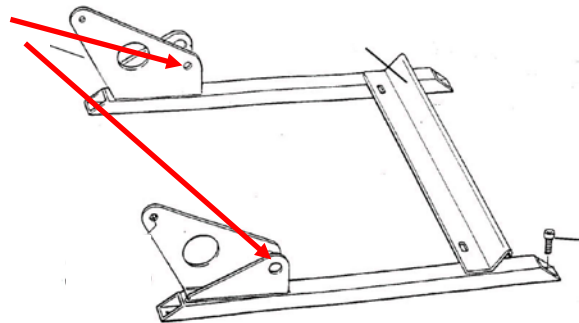




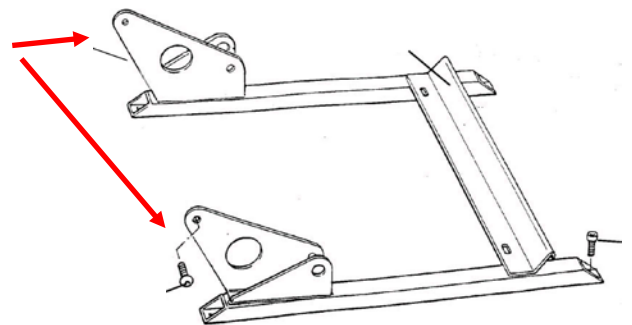
- E. Place the seat on the sub-frame and thread on the retained front M8 nuts and washers, leave loose for the moment to allow the seat a little float.



- F. Install the two provided 7/16 bolts and spacers (one spacer you will have retained earlier) passing them through the seat belt eyes and lightly threading them into the seat, leave loose for the moment to allow the seat a little float.



- G. Insert the two M8\*20mm bolts and washers provided and tighten. The rest of the retaining bolts can now be tightened including the sub-frame out-side brkt and cross brace.



- H. If using OEM 340R harness belts (A340U6005S) a crutch strap is included, the steel bar mounts under the sub frame and sits over the M8 studs found under the front of the seat. If using another harness either 5 or 6 point then the straps should be taken through the seat and to a secure fixing on the chassis.

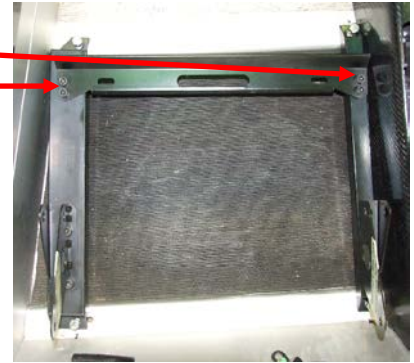


I. The seats and sub-frames can now be reinstalled into the car, the drivers side should be bolted in loosely to the chassis and the seat ran back and for on the sub-frame runners several times until it runs smooth, the sub frame to chassis bolts can then be tightened.

## FITTING CARBON SEAT AND A340 SPEC BRKTS TO REVERIE PASSENGER SUBFRAMES (HARNESSES AND STD SEATBELTS)

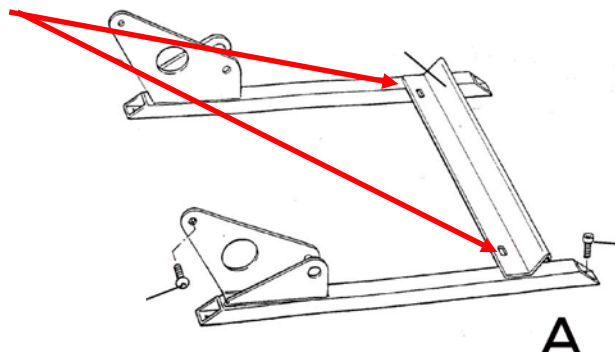
A.

Loosely assemble the passenger sub-frame locate in the car using the 4 chassis mounting points. Then tighten all the sub-frame bolts to make it rigid and remove from the car.



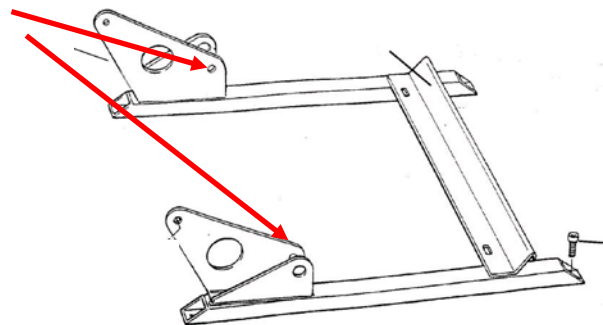
B.

Place the seat on the sub-frame and thread on the retained front M8 nuts and washers, leave loose for the moment to allow the seat a little float.



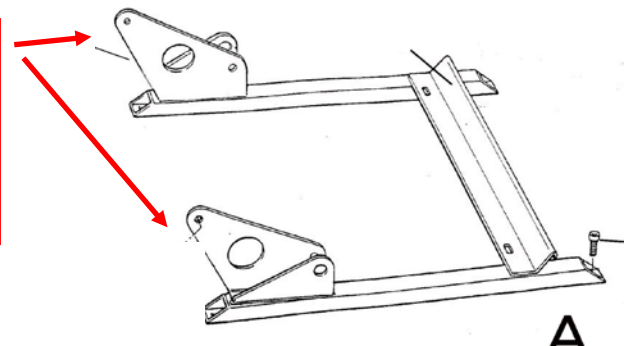
C.

Slide the 7/16 nylon packing spacers between the seat and sub frame then install the two provided 7/16 bolts and spacers (one spacer you will have retained earlier) passing them through the seat belt eyes and lightly threading them into the seat, leave loose for the moment to allow the seat a little float.



D.

Slide the M8 nylon spacers between the seat and sub frame and insert the two M8\*20mm bolts and washers provided and tighten. The rest of the retaining bolts can now be tightened.

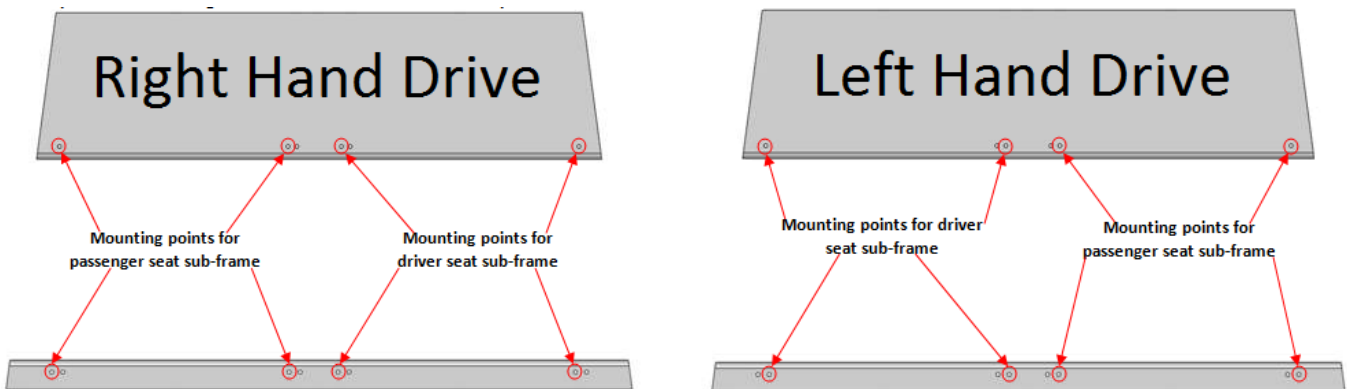


E.

If using OEM 340R harness belts (A340U6005S) a crutch strap is included, the steel bar mounts under the sub frame and sits over the M8 studs found under the front of the seat. If using another harness either 5 or 6 point then the straps should be taken through the seat and to a secure fixing on the chassis.



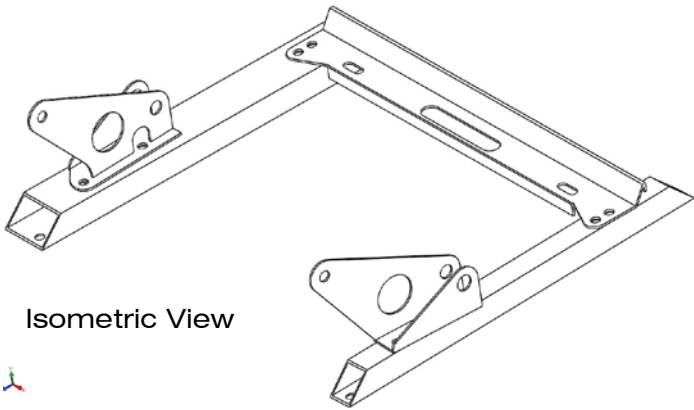
F. The seats and sub-frames can now be reinstalled into the car, the passenger side can be bolted straight in, the sub frame to chassis bolts can then be tightened.



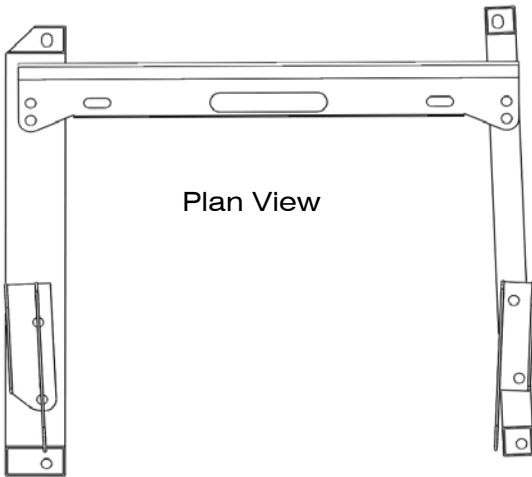
Pay close attention to which holes are used. (RHD shown, LHD is mirror fitment)

Drawing Views of Passenger Subframes:

RHD Vehicles

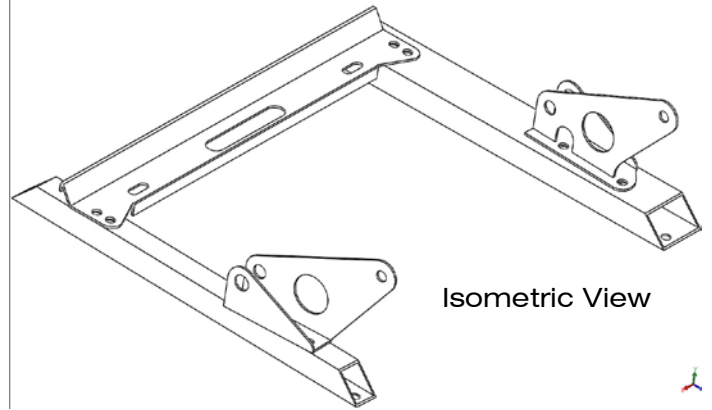


Isometric View

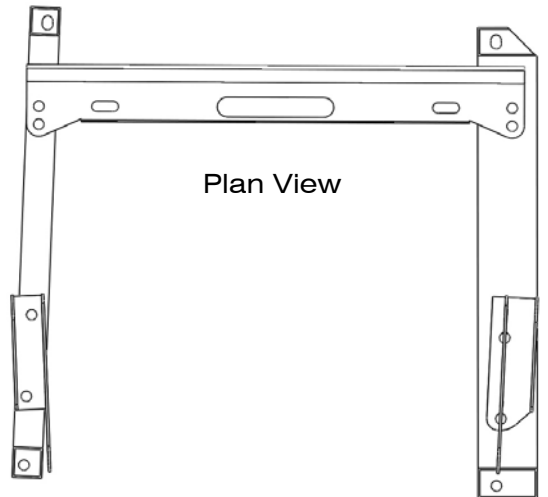


Plan View

LHD Vehicles



Isometric View



Plan View

Drawing Views of Driver Subframes:

RHD Vehicles



LHD Vehicles





MULSANNE C FITTED TO RACING ELISE S1